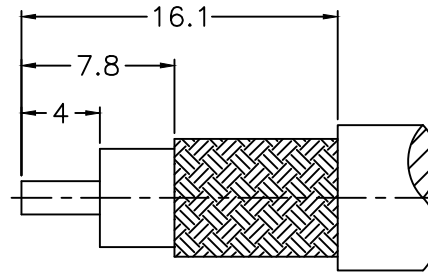


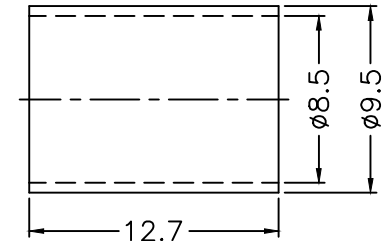
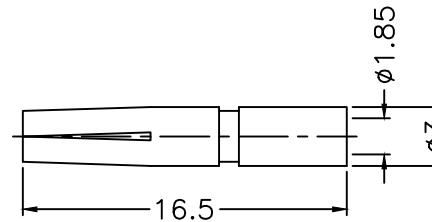
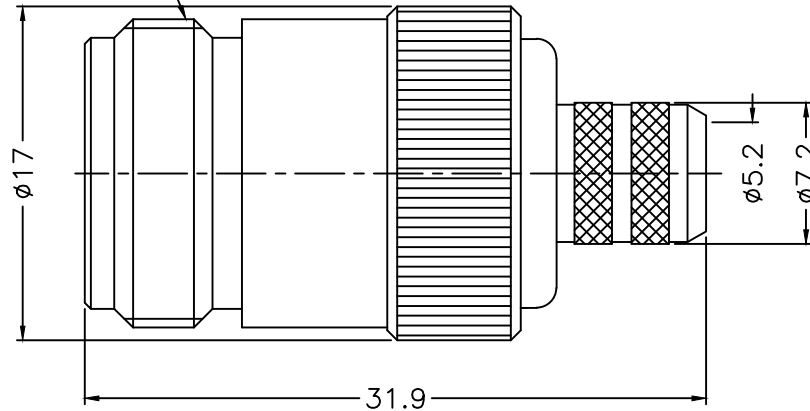
REVISIONS

ISS	ZONE	DESCRIPTION\PER REQUEST\DATE



RECOMMENDED
CABLE STRIPPING DIM'S
(建議剝線尺寸)

5/8-24UNEF-2A



NOTES: FINISH (PLATING THICKNESS IN MICRO-INCHES)

1. BRASS
2. NICKEL PL. 100 MIN. THICK OVER COPPER PL. 50 MIN. THICK
3. PHOSPHOR BRONZE
4. GOLD PL. 3 MIN. THICK OVER NICKEL PL. 50 MIN. THICK OVER COPPER PL. 50 MIN. THICK
5. TEFLON

RoHS COMPLIANT

1. CRIMPED FERRULE
HEX CRIMP SIZE .324"
2. CONTACT PIN TO SOLDER

DIMENSIONS ARE IN MILLIMETERS						PART NO.		TITLE		
5	FERRULE	NOTE 1	NOTE 2	1	FR-85-95-127	UNLESS OTHERWISE SPECIFIED TOLERANCES 0.5-6 = ±0.2 6-30 = ±0.4 30-120 = ±0.6 120-315 = ±1 315-1000 = ±1.6 1000-2000 = ±2.4		N CRIMP JACK (FOR LMR-300 CABLE)		
4	CONTACT PIN	NOTE 3	NOTE 4	1	5824-6121A1-4 -1.85					
3	BARREL	NOTE 1	NOTE 2	1	5824-6121A1-3 -A2	APPROVED	DATE	DRAWING NO. 5824-6121A1-A2-50		
2	INSULATOR	NOTE 5	NATURAL	1	5824-1000-4A	CHECKED	DATE			
1	BODY	NOTE 1	NOTE 2	1	5824-6121A1-1	DRAWN	DATE			
NO.	DESCRIPTION	MATERIAL	FINISH	Q'TY	DRAWING NO.	SCALE	2.5/1	ISSUE	A	FILE NO. R:\D\G\DWG\5824\6121A1\A2\50