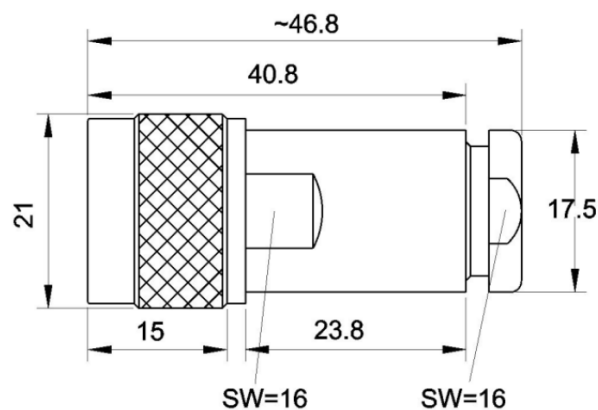
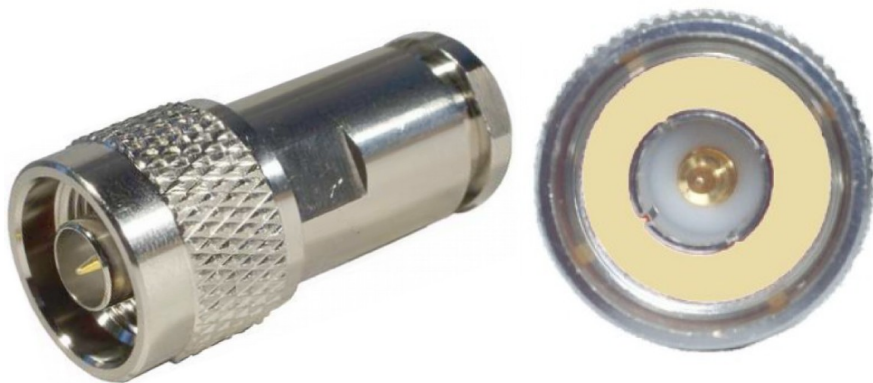


N-Stecker / N-Plug**Artikel Nr. / Part-no.: 7392**

Alle Angaben in mm / All dimensions are in mm
Pin: Loch / hole \varnothing 2,0 mm

Norm: IEC 169-16

Kabeltypen / Cable Types: Aircell 7 / H2007 / LMR300

Mechanische Eigenschaften / Mechanical specifications:

Isolierhülse / Isolator	PTFE
Anpressdichtung / Gasket	Gummi / Rubber
O-Ring / O-ring	Gummi / Rubber
Dichtung Steckergesicht / Gasket in mating face	Silikon / Silicone
Oberfläche / Surface	vernickelt / nickel plated
Metallteile außer Pin / Metal parts excl. pin	CuZn39Pb3
Pin (diamagnetisch) / Pin (diamagnetic)	vergoldet / gold plated
Temperaturbereich / Operating temperature	-55°C / +155°C
Gewicht / Weight	59g
RoHs conform / RoHs compliant	Ja / Yes
Schutzklasse / Protection class	IP 67

Elektrische Eigenschaften / Electrical specifications:

Betriebsspannung / Working voltage	≤ 1000 V RMS
Impedanz / Impedance	50 Ω
Isolationswiderstand / Isulation resistance	≥ 5 G Ω
Frequenz bis zu / Frequency up to	10 GHz
Durchgangswiderstand innen / Inner contact resistance	$\leq 1,5$ m Ω
Durchgangswiderstand außen / Outer contact resistance	$\leq 1,0$ m Ω

Mounting instruction

AIRCELL® 7

N-Connector / Art. Nr.: 7392



Cut off cable tail right-angled.



Move the nut, clamping ring and rubber washer over the cable tail. Hint: With a bit of Vaseline the rubber washer can be moved easily over the cable sheath.



Remove 8 mm of the outer sheath with a knife.



Bend copper braid upwards right-angled. Insert contact sleeve between copper foil and braid until stop. Cut off protruding braid. Move the rubber seal to the front, up to the contact sleeve.



Remove the copper foil and the dielectric with a knife.



Attach inner pin to the inner conductor and solder carefully through the small hole.



The prepared cable tail has to be inserted into the housing until stop. Tighten the clamping nut finger tight with two open-ended spanners 16 mm. A small split should remain visible between clamping nut and connector housing.