

## Universal, Unity-Gain BAsE Station and Marine DAB Antenna

### DESCRIPTION

- This multi-purpose, omnidirectional, rod-type base station and marine antenna covers the DAB band and can be used in a wide variety of applications.
- The broad-banded  $\frac{1}{2} \lambda$  dipole antenna element is sealed in a high-quality glass fibre tube with low wind-load, which will ensure performance undisturbed by corrosive environments.
- Approximately 0 dBd gain.
- Provided with the sturdy "LW" mast mount – a lightweight, multipurpose, epoxy-coated mounting bracket made of non-corrosive aluminium.
- The accompanying U-bolts and fittings are made of stainless steel.
- To be mounted on vertical or horizontal mast tubes, 16 to 54 mm in outer diameter.
- The cable can be led either on the outside or along the inside of the mast tube.
- Large bandwidth with respect to both SWR and gain.
- All metal parts in the antenna are DC-grounded to reduce the noise caused by atmospheric discharge. Consequently, the antenna shows a DC-short across the coaxial cable.
- The CXL 230-1LW/DAB is a vibration-proof, lightweight, slim-line, corrosion-resistant, modern style base station and marine antenna.



### ORDERING

Type	Product No.
CXL 230-1LW/DAB	110000114

### SPECIFICATIONS

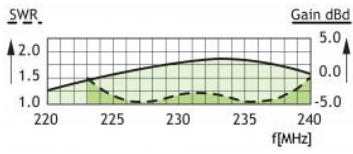
Electrical	
Model	CXL 230-1LW/DAB
Frequency	223 - 240 MHz
Antenna Type	Coaxial dipole, broad-banded
3 dB Beamwidth, H-Plane	Omnidirectional
Polarisation	Vertical
Pattern Type	Omnidirectional
3 dB Beamwidth, E-Plane	80 °
Impedance	50 Ω
Gain	0 dBd (2.2 dBi)
SWR	< 1.5:1
Maximum Input Power	150 W
Bandwidth	17 MHz
Antistatic Protection	All metal parts DC-grounded (Connector shows a DC-short)
HCM Code(s)	

Mechanical	
Wind Area	0.0172 sq. m / 0.19 sq. ft
Connection(s)	N(f)
Materials	Shroud: Polyurethane-coated glass fibre Mounting bracket: Seawater resistant aluminium, epoxy-coated Clamps: Stainless steel
Colour	White (RAL 9003)
Height	1260 mm / 49.61 in.
Wind Load	22 N (160km/h)
Weight	0.76 kg / 1.68 lb
Mounting	On 16 to 54 mm dia. mast tube

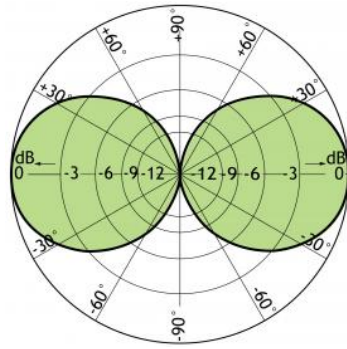
Environmental	
Operating Temperature Range	-30° C to +70° C

DIAGRAM

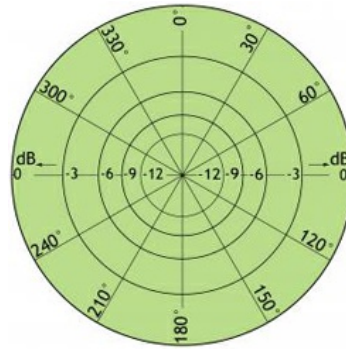
TYPICAL GAIN AND SWR CURVES



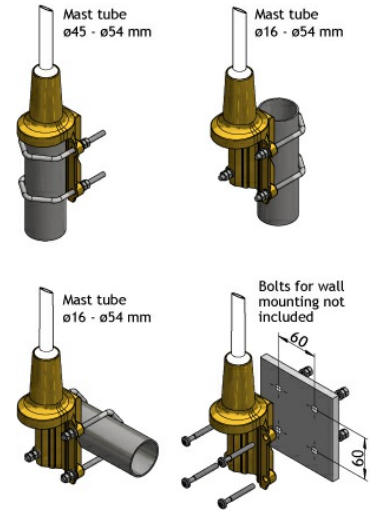
TYPICAL RADIATION PATTERN (E-PLANE)



TYPICAL RADIATION PATTERN (H-PLANE)



MULTI-PURPOSE MOUNTING BRACKET



PLEASE NOTE

[Redacted note]

The antenna is delivered with a DC-connection between the antenna element and the mounting bracket.