

¼ λ Mobile Antenne for the 80 MHz Band - Tunable op to 175 MHz

DESCRIPTION

- Black-chromed, conical stainless steel whip.
- Elegant transition between whip and mounting surface due to slim-line mount.
- 30° tiltable whip.
- Ideal for installation on the narrow strip on rear wing between trunk lid and side of car.
- Stainless steel X-mount with M6-thread whip-fastening system.
- Simple mounting exclusively with access from the outside.
- Models available with X-mount (oblong) and CX-mount (circular).
- Choice between two connection principles:
 - X-mount: FME-connection (supplied without cable).
 - XP4-mount: Permanently attached 4 m cable terminated with FME-connector.



ORDERING

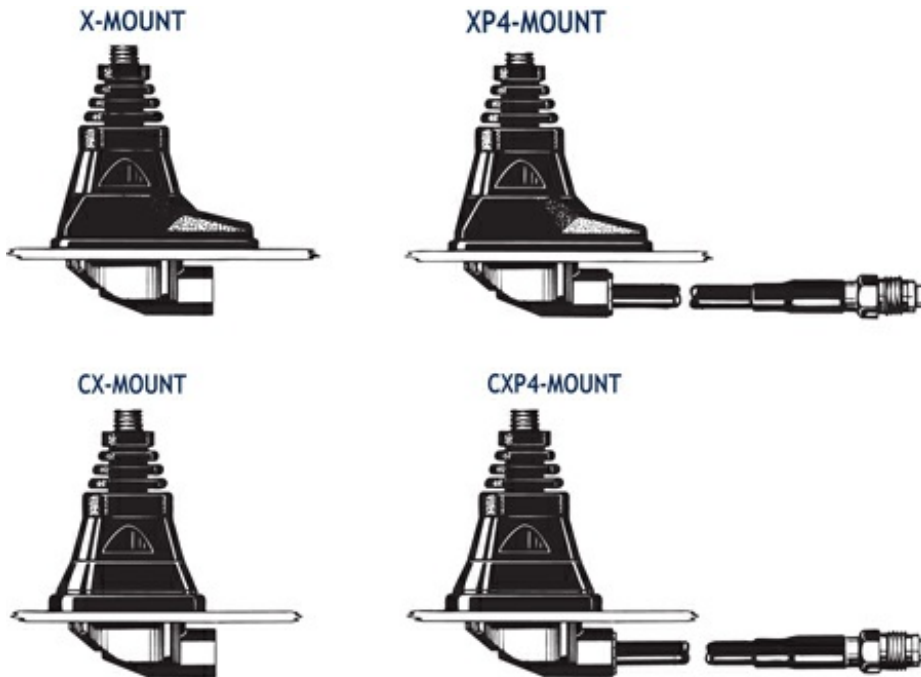
Type	Product No.	Description
ML 2-XR	130000632	X-mount (oblong) with FME-system
ML 2-CXR	130000633	CX-mount with FME-system (circular)
ML 2-XP4R	130000634	XP4-mount with 4 m cable and FME-connector (oblong)
ML 2-CXP4R	130000635	CXP4-mount with 4 m cable and FME-connector (circular)
ML 2-XR/118-137	130002350	X-mount (oblong) with FME-system
ML 2-CXR/118-137	130002351	CX-mount with FME-system (circular)
ML 2-XP4R/118-137	130002352	XP4-mount with 4 m cable and FME-connector (oblong)
ML 2-CXP4R/118-137	130002353	CXP4-mount with 4 m cable and FME-connector (circular)

SPECIFICATIONS

Electrical	
Model	ML 2-XR
Frequency	Tunable by cutting within: 66- 175 MHz
Antenna Type	Mobile whip antenna
Polarisation	Vertical
Impedance	50 Ω
Maximum Input Power	250 W
Gain (EIA RS-329-1)	0 dB
Mechanical	
Materials	Whip: Black-chromed, conical stainless steel Black-chromed brass Mount: Black-chromed brass Weather- and shockproof plastics Stainless steel
Installation Torque	4 +/- 1 Nm
Colour	Black
Height	1300 mm / 51.18 in.
Weight	X-version: Approx. 80 g XP4-version: Approx. 240 g
Mounting	18 mm dia. hole

ADDITIONAL DATA

The whip is compatible with all below mounts



INSTALLATION

This antenna can be mounted anywhere on the vehicle.

The oblong X-mount is especially suited for mounting on the often very narrow strip on the rear wing between the trunk lid and the side of the car.

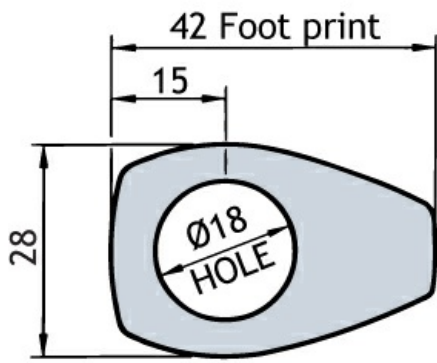
Mounting can take place exclusively with access from the outside when drilling an 18 mm dia. hole. Mounting can take place from the inside by drilling a 14 mm dia. hole. When mounting in a 14 mm dia. hole, remove the bottom plastic ring of the packing gasket with a sharp cutter.

When cleaning the car in car-washing machines, remove the whip using a spanner, size 9 mm. After wash, refit the whip and tighten it lightly with the spanner.

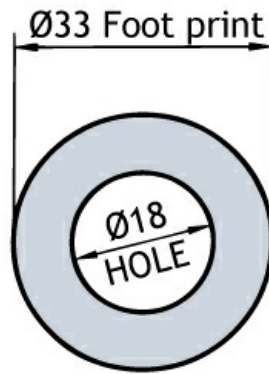
As the mount is internally equipped with a bendable section, the antenna can always be adjusted to an upright position independent of the tilt angle of the installation spot (up to 30° tilt).

1. INSTALLATION DIMENSIONS

X-Mount

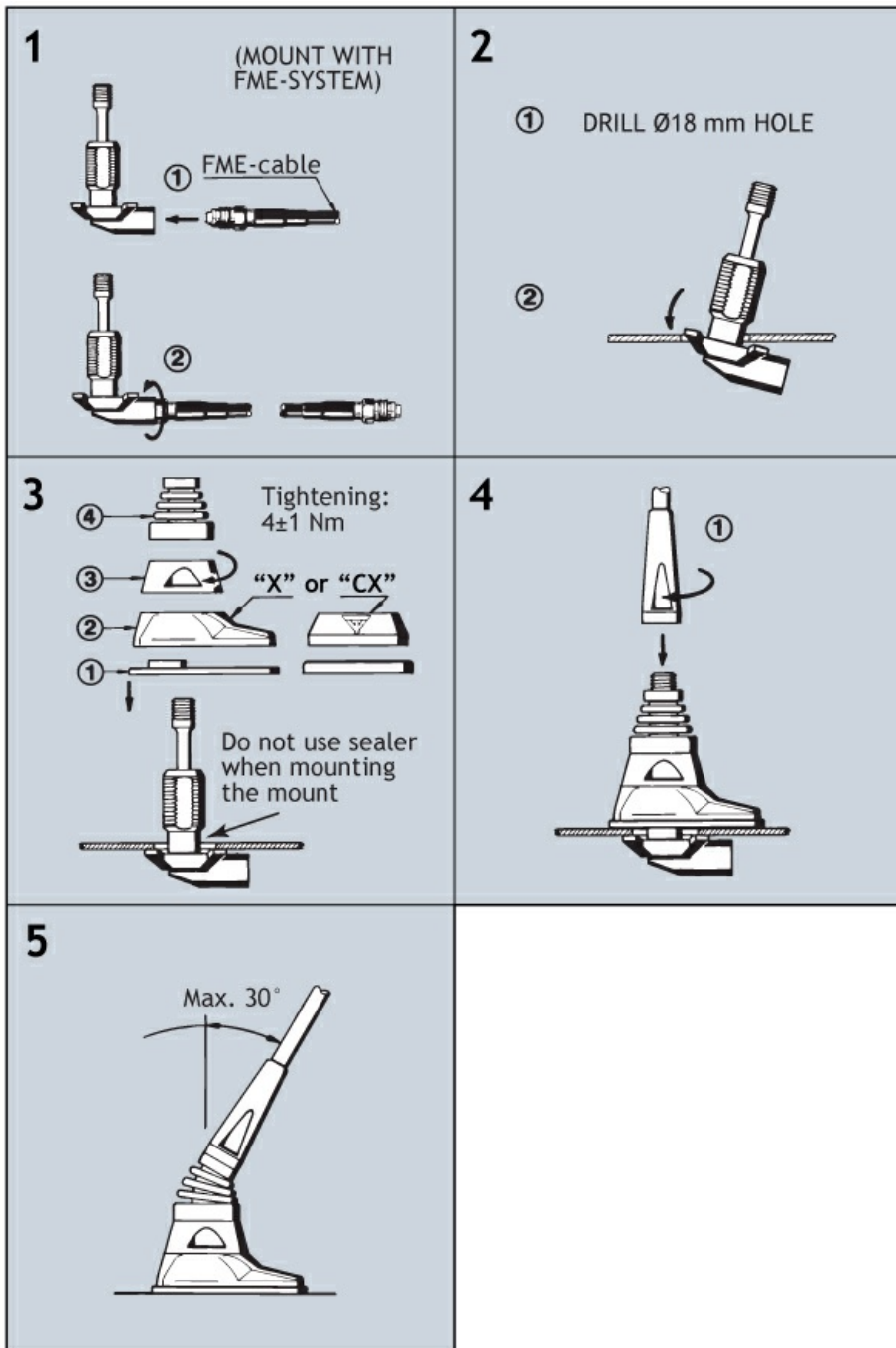


CX-Mount



Build- in depth: 11 mm

2. INSTALLATION STEPS



Do not use sealer on rubber gasket or other places.

3. TUNING

The antenna should always be tuned using an SWR-meter.

The cutting diagrams below serve as a guide for this procedure.

